

## SOL 4.6 Weather

- weather phenomena;
- weather measurements and meteorological tools;
- use of weather measurements and weather phenomena to make weather predictions.

## AIR MASSES AND FRONTS

1. Which type of **storm** causes the most **flooding** in areas located near an **ocean coastline**?

(2009 test – question 24)

- Tornado
- Hurricane**
- Blizzard
- Freezing rain

2. Which of these best describes a **tornado**?

(2008 test – question 16)

- A winter storm that produces frozen precipitation
- A rotating funnel-shaped cloud with strong winds and thunderstorms**
- A severe weather condition with low temperatures and blowing snow
- A storm that forms over warm ocean water and has extremely strong winds

**Rain, Snow, Sleet**

3. Which weather term best describes the words above?

(2004 test – question 5)

- Humidity
- Atmosphere
- Precipitation**
- Barometric pressure

4. Certain storms form **over water** near the equator, usually between the months of June and November. Warm, moist air rises quickly over the ocean, causing a **strong, whirling** storm with high winds and heavy rains. This type of storm is known as a —

(2002 test – question 25)

- tornado
- hurricane**
- blizzard
- sandstorm

5. Which factor is usually recorded when gathering weather data?

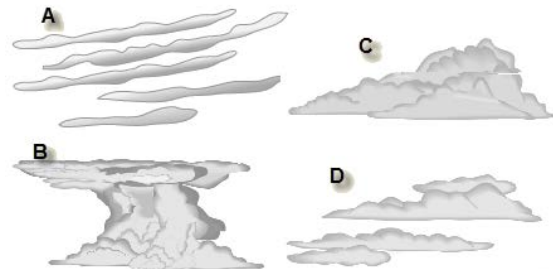
(2001 test – question 38)

- Number of gases in the air
- Temperature of the air**
- Type of gases in the air
- Amount of air in an area

## CLOUD TYPES

6. Different types of clouds are associated with different types of weather. Which of the following types of **clouds** would most likely be seen in the sky during a **thunderstorm**? (b)

(2006 test – question 8)



7. **Tornadoes** are most likely to be produced from which type of cloud?

(2001 test – question 20)

- Cirrus
- Stratus
- Cumulus
- Cumulonimbus**



8. Usually, **cumulonimbus** clouds are associated with weather that is —

(2003 test – question 11)

- a. dry
- b. **stormy**
- c. fair
- d. foggy

## METEOROLOGICAL TOOLS

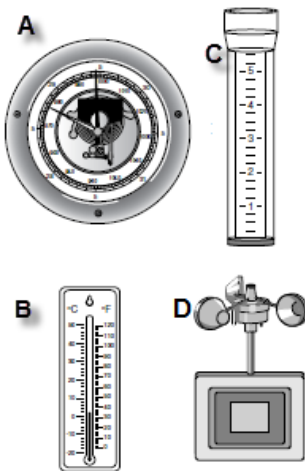
9. What tool is used to measure the relative amount of **water in the air**?

(2004 test – question 32)

- a. A barometer
- b. An anemometer
- c. **A hygrometer**
- d. A thermometer

10. Which of these instruments would be used to measure **wind speed**? (d)

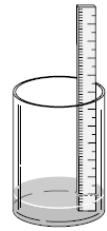
(2006 test – question 4)



11. The simple instrument shown is used to measure —

(2005 test – question 39)

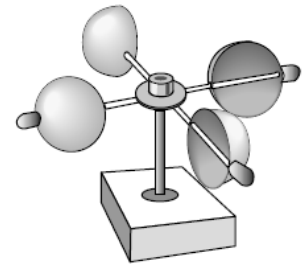
- a. air pressure
- b. wind speed
- c. temperature
- d. **precipitation**



12. If this device was placed outside, it could be used to show —

(2002 test – question 19)

- a. changes in temperature
- b. the amount of rainfall
- c. changes in humidity
- d. **the speed of the wind**



13. Which instrument could tell you that conditions are right for flying a kite?

(2001 test – question 29)

- a. **Anemometer**
- b. Barometer
- c. Hygrometer
- d. Thermometer

14. Which do meteorologists use to measure the amount of **precipitation** that falls during a storm?

(2010 test – question 15)

- a. Anemometer
- b. Barometer
- c. **Rain gauge**
- d. Weather vane

15. Which of these instruments measures **wind speed**? ©

(2007 test – question 23)

